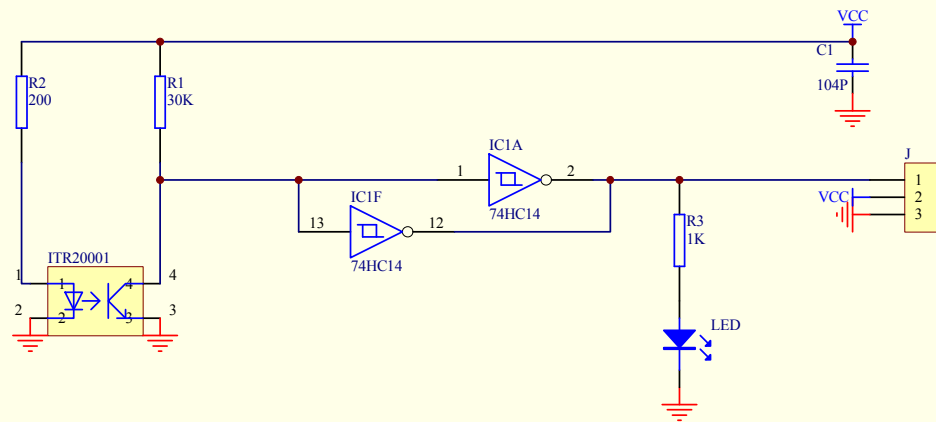


参考資料



| | | |
|---|-----------|----------|
| Title | | |
| Size A4 | Number | Revision |
| Date: 28-Aug-2013 | Sheet of | |
| File: D:\产品记录\arduino\arduino NGDM0916.DOC | Drawn By: | |